

**CONTACT INFORMATION**

- Website: [www.supermicro.com](http://www.supermicro.com)
- General Information: [marketing@supermicro.com](mailto:marketing@supermicro.com)
- Technical Support: [support@supermicro.com](mailto:support@supermicro.com)
- Phone: +1 (408) 503-8000, Fax: +1 (408) 503-8008

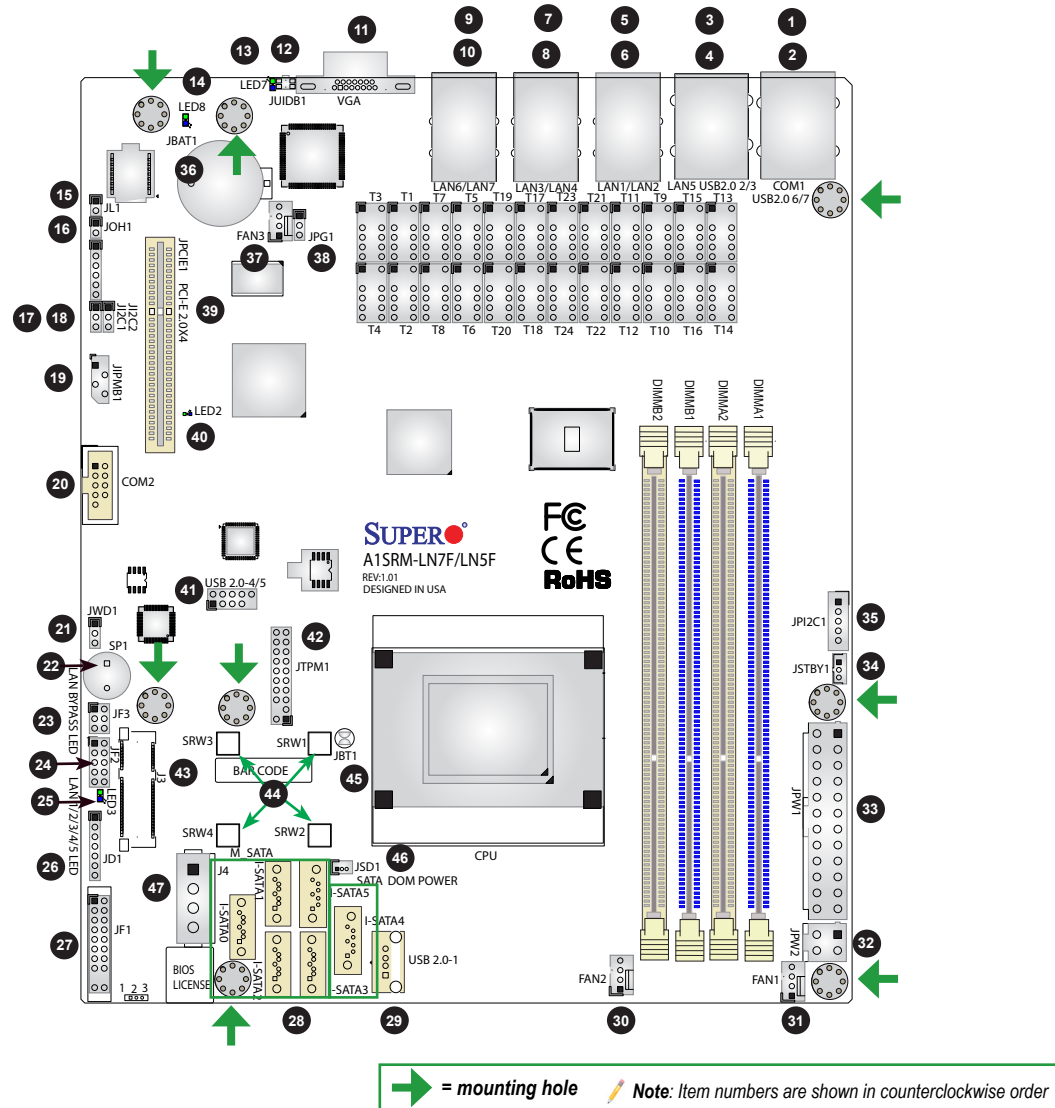
**FOR YOUR SYSTEM TO WORK PROPERLY, PLEASE DOWNLOAD APPROPRIATE**

- DRIVERS/IMAGES/USER'S MANUAL FROM THE LINKS BELOW:**
- Manuals: <http://www.supermicro.com/support/manuals>
  - Drivers & Utilities: [ftp://ftp.supermicro.com/CDR\\_Images/CDR-X10-UP/](ftp://ftp.supermicro.com/CDR_Images/CDR-X10-UP/)
  - Safety: [http://www.supermicro.com/about/policies/safety\\_information.cfm](http://www.supermicro.com/about/policies/safety_information.cfm)

**PACKAGE CONTENTS**

- One (1) Supermicro Motherboard
- Six (6) SATA Cables (Four for 2358 SKU)
- One (1) I/O Shield
- One (1) Quick Reference Guide

**Motherboard Layout and Features**



**Jumpers, Connectors and LED Indicators**

Jumpers			
Jumper	Item #	Description	Default
JBT1	45	CMOS Clear	Open: Normal, Short: Clear CMOS
J12C1/J12C2	17, 18	SMB to PCI-Exp. Slots	Pins 2-3 (Disabled)
JPG1	38	VGA Enable	Pins 1-2 (Enabled)
JWD1	21	Watch Dog Enable	Pins 1-2 (Reset)

Connectors		
Connector	Item #	Description
Battery (JBAT1)	36	Onboard Battery
COM1/COM2	1, 20	COM1 Port/COM 2 Header
FAN1-FAN3	31, 30, 37	CPU/System Cooling Fans
J3	43	mSATA Slot (Shared with I-SATA0)
J4	47	4-pin Power Connector for HDD use (To provide power from the motherboard to HDD devices.)
JD1	26	Speaker/Buzzer (Pins 1-3: Power LED, Pins 4-7: Speaker)
JF1	27	Front Panel Control Header
JF2	24	LAN1-5 Activity LED Header
JF3	23	LAN Bypass Indicator LED Header
JIPMB1	19	4-pin External SMBus I <sup>2</sup> C Header (for an IPMI Card)
JL1	15	Chassis Intrusion Header
JOH1	16	Overheat Header
JPI2C1	35	Power Supply System Management Bus (SMBus) I <sup>2</sup> C Header
JPW1	33	24-pin ATX Main Power connector
JPW2	32	4-pin 12V DC Power Connector (To provide alternative power for special enclosure when the 24-pin ATX power is not in use.)
JSD1	46	SATA DOM (Device_On_Module) Power Connector
JSTBY1	34	Standby Power Header
JTPM1	42	Trusted Platform Module (TPM)/Port 80 Connector
JUIDB1	12	Unit Identifier (UID) Button
LAN1-7	5,6,7,8,3,9,10	Gigabit Ethernet (RJ45) Ports (No LAN6/LAN7 for LN5F model)
I-SATA 0-5	28	SATA0-3, SATA 2.0; SATA 4-5, SATA 3.0 (No SATA2/SATA3 for 2358 model)
PCI-E Slot	39	PCI-E slot 2.0 x4 (in x8)
SP1	22	Internal Speaker/Buzzer
SRW 1-4	44	mSATA Holding Screws
USB 1, USB 4/5	29, 41	Front Access USB 2.0 Ports
USB 2/3, USB 6/7	4, 2	Back Panel USB 2.0 Ports
VGA	11	Back Panel VGA Port

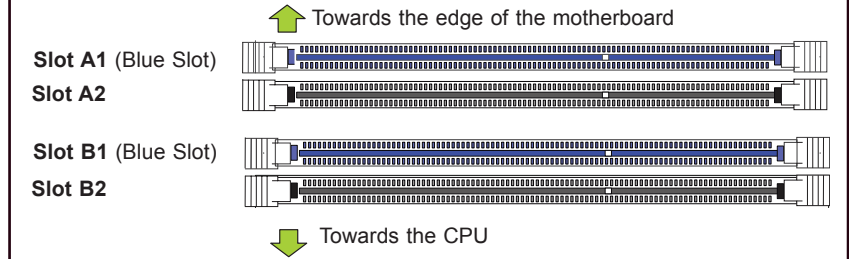
LED Indicators				
LED	Item #	Description	Color/State	Status
LED2	40	BMC Heartbeat LED	Green: Blinking	BMC: Normal
LED3	25	Power LED	Green: On	System Power On
LED7	13	UID Switch LED	Blue: On	Unit Identified
LED8	14	Overheat/PWR Fail/Fan Fail LED	Red: Solid On/ Blinking	Solid On: Overheat, Blinking: PWR Fail or Fan Fail

**Memory Support**

The A1SRM-LN7F/LN5F series motherboard supports up to 64GB of DDR3 ECC or Non-ECC UDIMM up to 1333/1600MHz in four memory slots. (2358 SKU supports up to 16GB at 1333MHz with slots A1 and A2, single channel only.) Populating these DIMM slots with memory modules of the same type and size will result in interleaved memory, which will improve memory performance.

**Note:** For memory optimization, use only DIMM modules that have been validated by Supermicro. For the latest memory updates, please refer to our website at <http://supermicro.com/products/motherboard>.

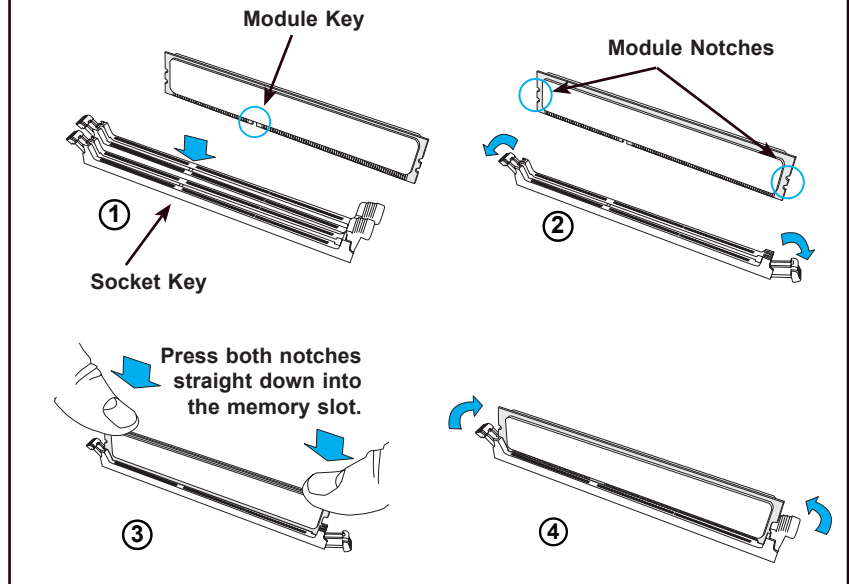
**DIMM Population Guidelines**



**Memory Population Guidelines (For -2758 only)**

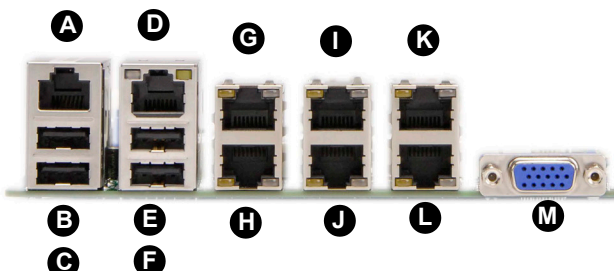
- When installing memory modules, the DIMM slots should be populated in the following order: DIMMA1, DIMMB1, then DIMMA2, DIMMB2.
- Always use DDR3 DIMM modules of the same size, type, and speed. Mixing memory modules of different types and speeds is not allowed.
  - This motherboard only supports the following memory population configurations: a single module (DIMMA1), one pair, or two pairs.

Recommended Population (Balanced)				
DIMMA1 Slot	DIMMB1 Slot	DIMMA2 Slot	DIMMB2 Slot	Total System Memory
4GB				4GB
4GB	4GB			8GB
4GB	4GB	4GB	4GB	16GB
8GB	8GB			16GB
8GB	8GB	8GB	8GB	32GB
16GB	16GB	16GB	16GB	64GB

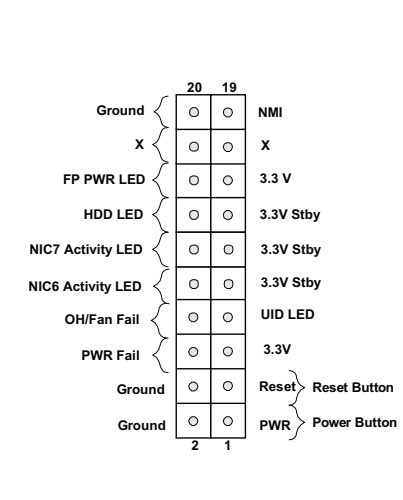


**Back Panel I/O Connectors**

Back Panel I/O		
A. COM Port	F. USB Port 3	K. LAN Port 7
B. USB Port 6	G. LAN Port 2	L. LAN Port 6
C. USB Port 7	H. LAN Port 1	M. VGA Port
D. LAN Port 5	I. LAN Port 4	
E. USB Port 2	J. LAN Port 3	



**Front Panel Control (JF1)**



**Note:** Graphics shown in this quick reference guide are for illustration only. Your components may or may not look exactly the same as drawings shown in this guide.

**Note:** Refer to Chapter 1 of the User Manual for detailed information on jumpers, connectors, and LED indicators.

**Note:** Refer to Chapter 2 of the User Manual for detailed information on memory support and CPU/motherboard installation instructions.